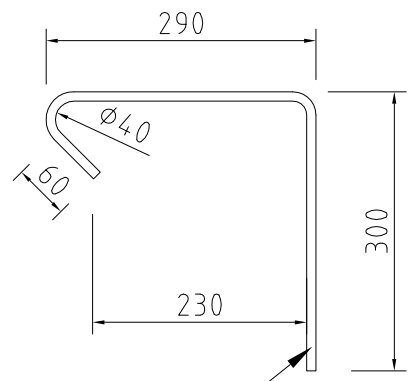
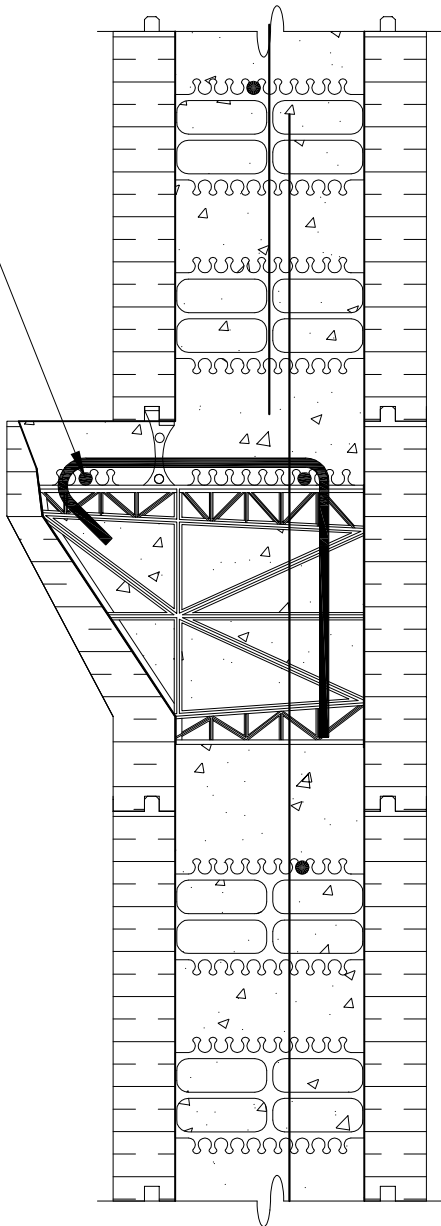


BRICK LEDGE
FACTORED DESIGN
LOAD: 16 KN/m

1-10M CONT. EXTRA
IN BRICK LEDGE



10M @
203 mm
(8") o.c.

- NOTES:**
- 1. DETAIL TO BE USED IN CONJUNCTION WITH ADVANTAGE ICF SYSTEM TECHNICAL & INSTALLATION MANUAL.**
 - 2. HORIZONTAL AND VERTICAL REBAR OVERLAP TO BE 450 mm (18") FOR 10M AND 650 mm (26") FOR 15M.**

No.	REVISION DESCRIPTION	DATE	BY	CHKD	APPD



PLANT OR PROJECT 8" ADVANTAGE ICF SYSTEM

**BRICK LEDGE DETAIL
8" TO 8" WALLS**

SCALE		NTS	
DESIGN	G DOREN	DATE	JULY, 09
DRAWN	L XIE	DATE	JULY, 09
CHECKED	J WHALEN	DATE	JULY, 09
DRAWING No.	S.7.8		REV.